

The HF Mobile X-ray Generator consists of an inverter and oil-filled tank which houses the high voltage transformer and tube. It has been designed and developed for OEM application in Radiography for intensive care units. The high frequency output allows for lower kV per exposure, shorter exposure and superior imaging.

Features:

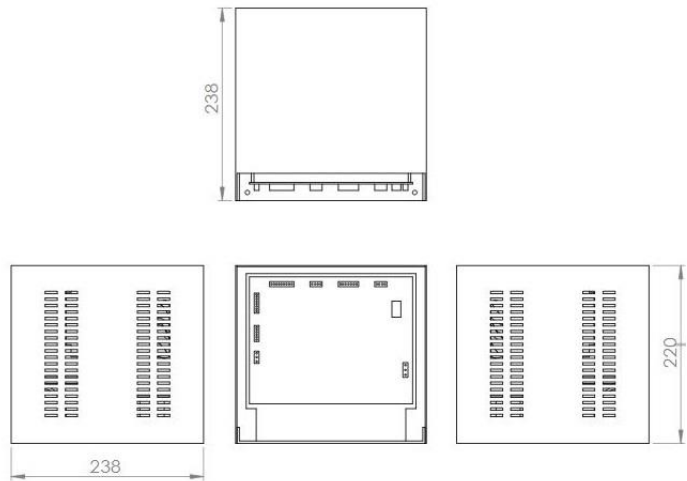
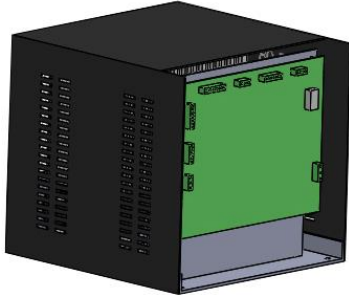
- ❖ Compact & light weight
- ❖ Reduction in dose
- ❖ Superior Imaging
- ❖ Tablet / Keyboard /touch-Screen Control
- ❖ Easy Serviceability
- ❖ OEM Customization Available



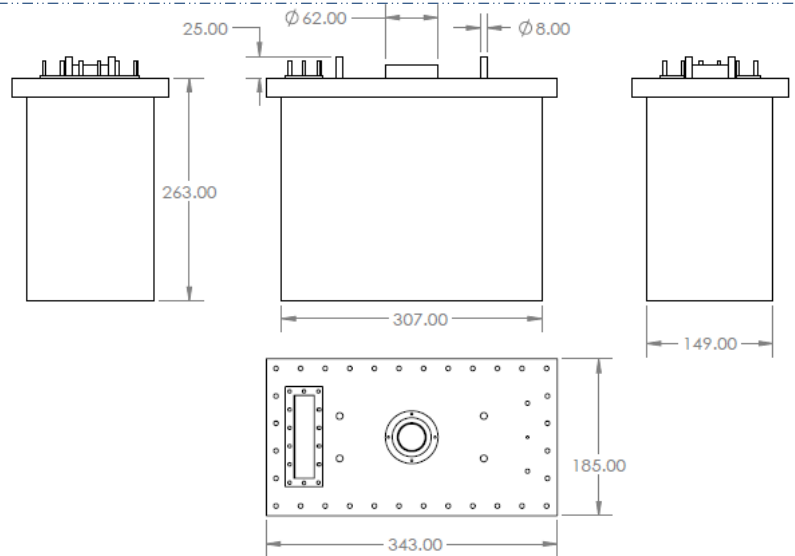
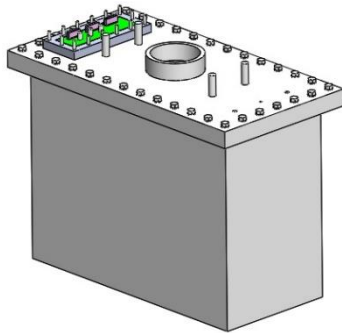
TECHNICAL SPECIFICATIONS

PARAMETER	SPECIFICATION	
Input Voltage	230V \pm 10% AC, 50Hz, single phase	
Maximum Output Voltage & Power	50mA at 120kV 150mA at 40kV	
HF Generator Frequency	100kHz	
Protections	Over Voltage, Over Current, Over Temperature, Filament Fault, Earth Fault, Rotor Fault, Inverter Fault.	
Application	Intensive care units and radiology department	
kV Range	40kV to 120kV (80 steps)	
mA Range	20mA to 150mA (8 steps)	
Modes	APR & Manual	
mAs	0.1 to 200mAs in 31steps	
Exposure Time	10ms to 5sec	
Tube Compatibility	XD-56	
User Interface	Keyboard or Touch screen tablet with microcontroller-based control	
Housing	Monoblock	Contains high voltage transformer, X-ray tube & filament transformers floating on high voltage
	HF Inverter	Contains inverter, control & filament cards, transformers and other interlocks. (Rotor circuitry supplied separately).
Size (L x W x H)	Monoblock	307mm x 149mm x 263mm
	HF Inverter	238mm x 238mm x 220mm
Weight	Monoblock	21.5 Kgs
	HF Inverter	17 Kgs

HF Inverter:



Monoblock:



For any queries or customization requests contact us at info@ionics.co.in
For product line information visit us at www.ionics.co.in